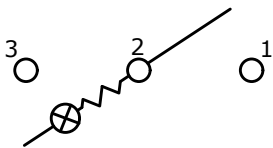
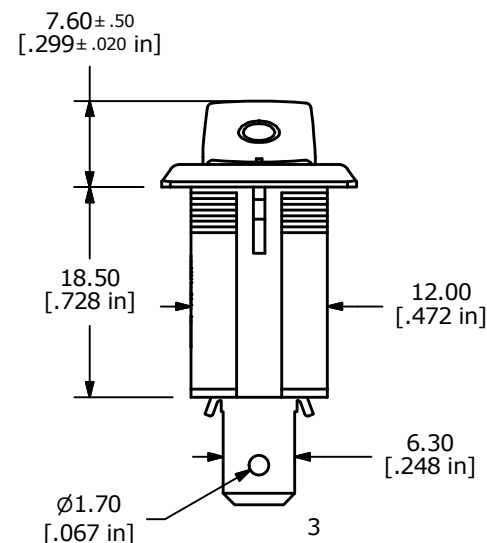
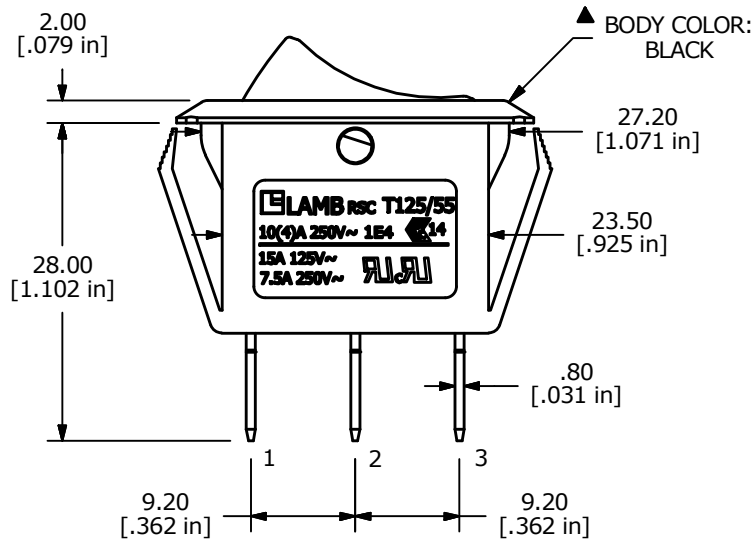
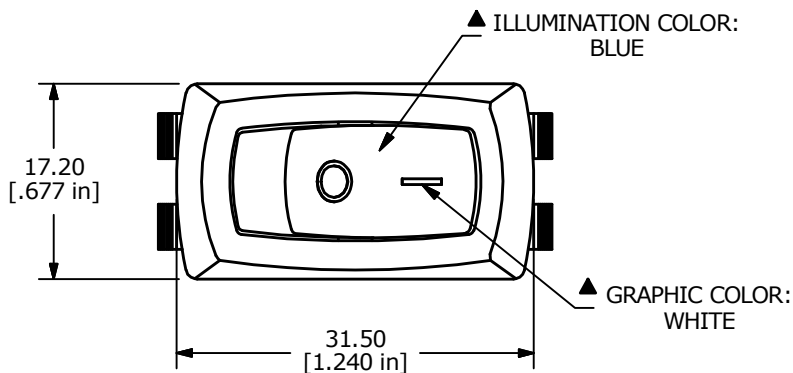


**SUGGESTED PANEL CUTOUT**



**CIRCUIT: SPST  
OFF - ON**



**NOTES:**

1. ALL DIMENSIONS IN MM [INCH]
2. GENERAL TOLERANCE: X.X=±0.4  
X.XX=±0.25
3. TERM. NOS. FOR REF. ONLY
- ▲ 4. RATING: 15A @125VAC [cURus]  
16(4)A @250VAC T125/55 [ENEC]
5. MATERIAL:  
CONTACT SURFACE: SILVER PLATED COPPER  
TERMINAL: BRASS ALLOY w/SILVER PLATE
6. ELECTRICAL LIFE: 10,000 CYCLES MIN.
7. CONTACT RESISTANCE: 20 Milli-OHMS MAX.
8. OPERATING TEMP: -20°C TO 65°C [cURus, CSA]  
-20°C TO 105°C [cURus]  
0°C TO 85°C [ENEC, VDE]  
0°C TO 125°C [ENEC, VDE]
9. DIELECTRIC STRENGTH: >1,000VAC 1MIN
10. LAMP VOLTAGE: 250V
11. ▲ DENOTES CRITICAL PARAMETER.
12. 2011/65/EU (ROHS) COMPLIANT.
- ▲ 13. LENS COLOR, BLUE



C	23370	REMOVED 20A @125VAC 3/4HP RATING	5/17/18	MJR
B	23175	UPDATED RATINGS	1/19/18	MJR
REV	PCR NO	DESCRIPTION	DATE	BY

E-SWITCH®				
TITLE RSC241C1021-147				
SCALE	DATE	DR	DWG	REV
3:2	11/8/2017	MJR	38-RSC241C1021147	C

THE INFORMATION CONTAINED IN THIS DOCUMENT IS PROPRIETARY TO E-SWITCH AND IS NOT TO BE COPIED OR TRANSFERRED